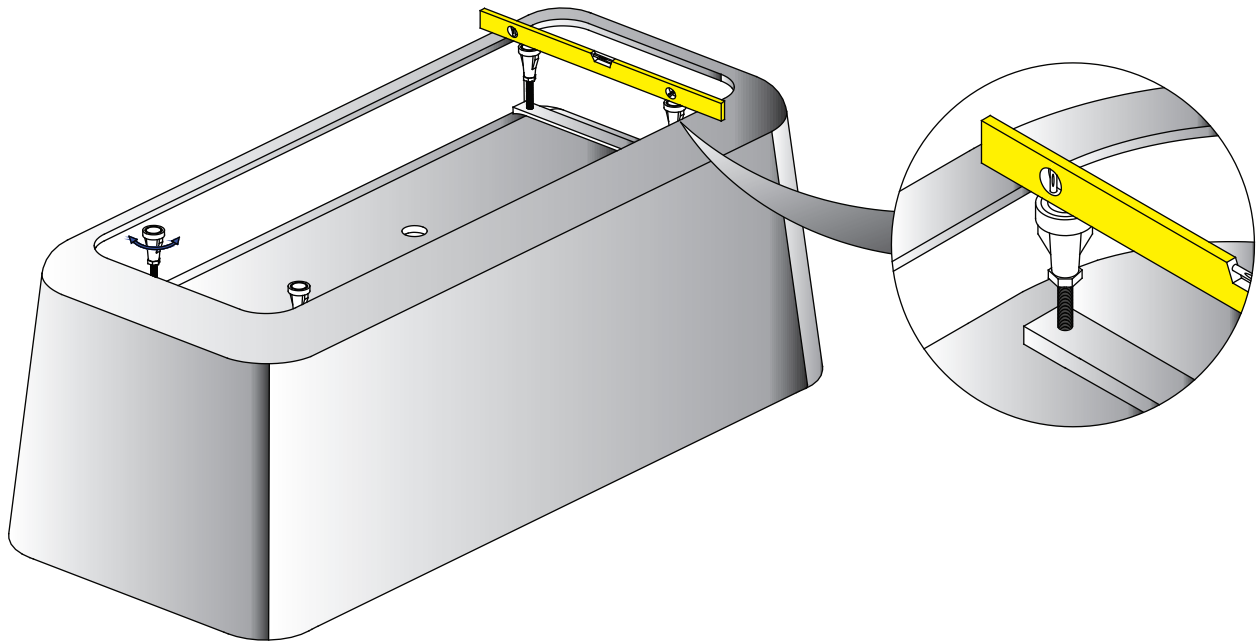


Installation Instructions

Freestanding bath

- Ensure legs are adjusted in line with the base of bath.



- Check that bath sits flat; if required adjust legs to compensate for floor level.

