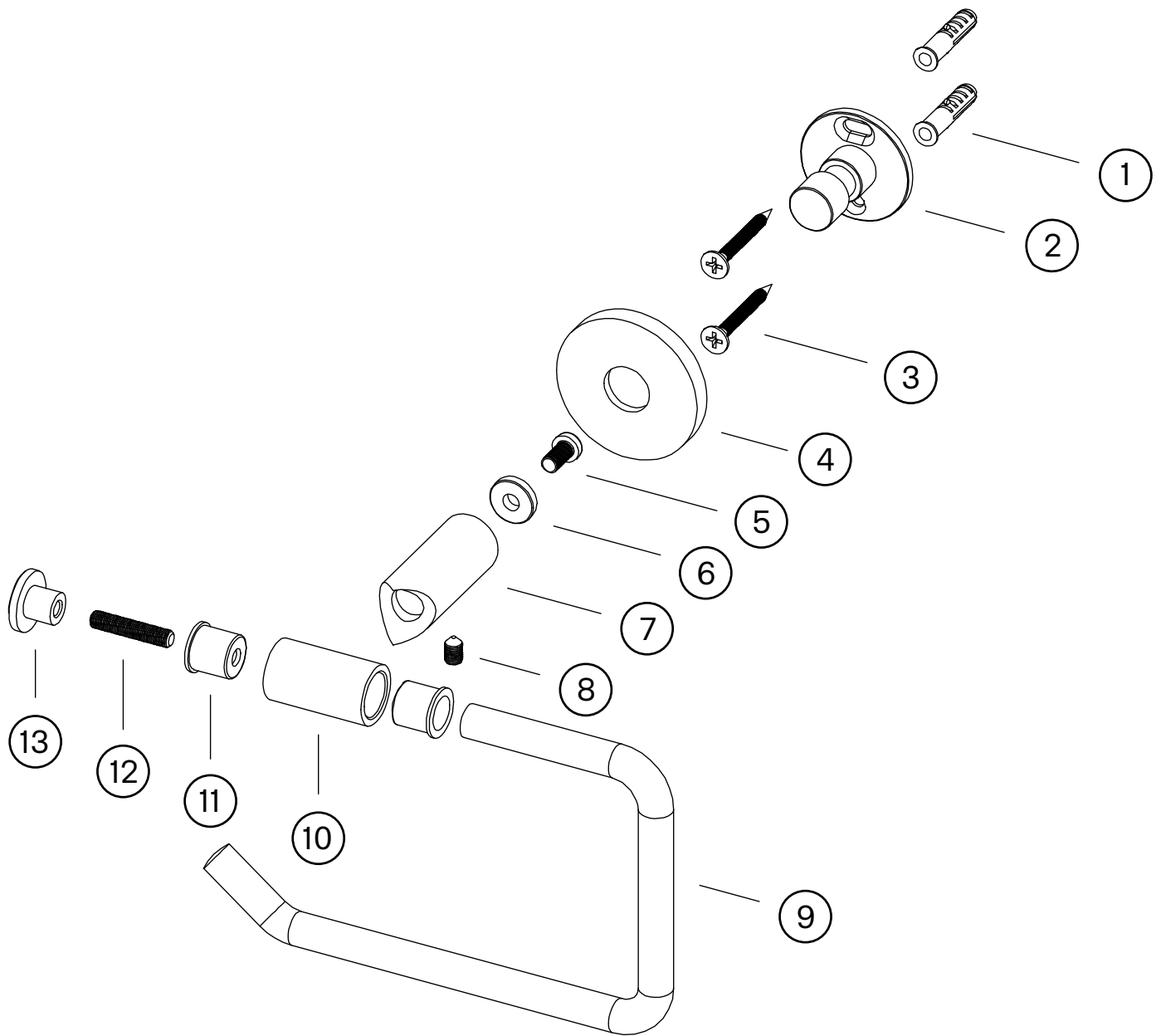


# Explosion Drawing



1. Screw plug  $\varnothing 6 \times 30$  mm
2. Wall mount  $\varnothing 34,6 \times 29,5$  mm
3. Screw M4 x 35 mm
4. Cover plate  $\varnothing 45 \times 6$  mm
5. Screw M4 x 10 mm
6. Seal plate
7. Cylinder  $\varnothing 18 \times 46,8$  mm
8. Allan screw M5 x 8 mm
9. Holder
10. Cylinder  $\varnothing 18 \times 31,3$  mm
11. Insert  $\varnothing 14,7 \times 12,7 \times 1$  mm
12. Allan screw M5 x 25 mm
13. Cover cap  $\varnothing 18 \times 11,2$  mm