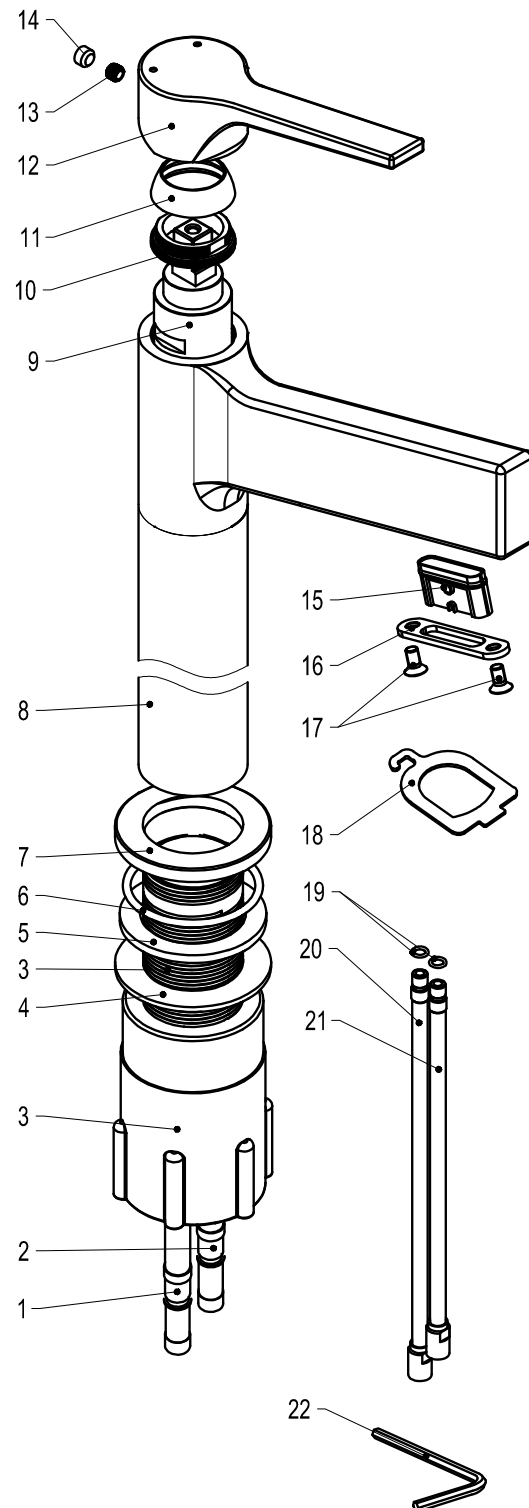


- 1 Flexible hose
- 2 Flexible hose
- 3 Fixing bushing
- 4 Washer
- 5 Washer
- 6 O ring
- 7 Base
- 8 Body
- 9 Cartridge
- 10 Screw nut
- 11 Cover ring
- 12 Handle
- 13 Inner hex screw
- 14 Rubber
- 15 Aerator
- 16 Aerator cover
- 17 Inner hex screw
- 18 Wrench
- 19 O ring
- 20 Short Connective pipe
- 21 Long Connect pipe
- 22 Wrench



Radian

Art no: 10300 RSK: 8278248

SCANDTAP®
BATHROOM CONCEPTS

Scandtap AB, Olofsdalsvägen 21, 302 41 Halmstad, Sweden
info@scandtap.com, www.scandtap.com

